



Systems



Fire Rated Cable Support System



Fire Rated Cable Support System

X Fire

- XF20 System
- XF50 System
- XF60 System
- XF70 System
- XF100 System

Products have been independently tested and certified to AS3013:2005 appendix C Classification WS5X (2 hours) with a peak temperature of 1050°C.

X-FIRE GENERAL

X-Fire is produced by IXL Systems and offers leading edge capabilities for a variety of applications. We offer a range of cable tray and ladder to suit your application, associated fittings to produce your entire system. Our products manufactured in Victoria, Australia follow national standards where applicable.

MATERIAL & FINISHES

X-fire product performance is designed in accordance with AS4600 for cold-formed steel structures.

Ladder Tray are manufactured from steel and hot dip galvanized as per AS4680 which is appropriate to outside installation for heavy duty purposes.

Cable Tray can be manufactured from pre-galvanized steel which is appropriated to indoor installation and they give a clean visual appearance.

TESTING

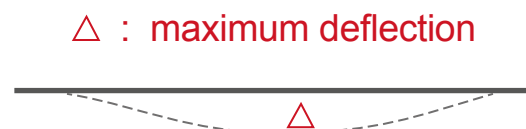
All systems have been independently tested by NATA accredited facility and are compliant to AS3013:2005.

AS3013:2005 is the current standard for mechanical performance under fire circumstance which presume a peak temperature of 1050 °C over 2 hours.

LOAD vs SPAN

Load is an important factor that needed to be considered when designing cable support systems. The amounting of load capacity is determined by the support span. In the cable support system, the support span is the distance between trapeze supports of cable system.

Shorter support span can support more weight and with less deflection. In other words, longer spans would present less load capability and result in higher deflection.



TO ORDER

Please add desired **fire rated loading, kit, width, length & finish codes** to the end of your **part number** – Eg: XF20 K 150 6 H

FIRE RATED LOADING	KIT	WIDTH (MM)	LENGTH (MM)	FINISH
XF20 20kg/m	K with Trapeze support	150	3	H Hot dip galvanized
XF50 50kg/m		300		
XF60 60kg/m		450		
XF70 70kg/m		600		
XF100 100kg/m				

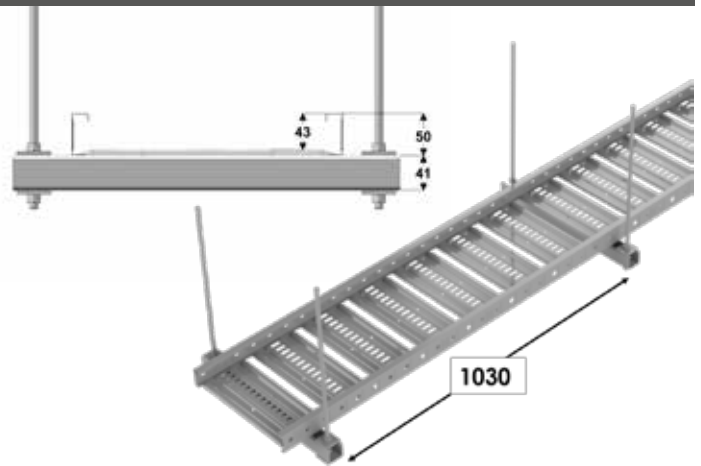
SUMMARY

	XF20 (Rated 20kg/m)	XF50 (Rated 50kg/m)	XF60 (Rated 60kg/m)	XF70 (Rated 70kg/m)	XF100 (Rated 100kg/m)
Product	XT3 Tray	N2 Ladder	N3 Ladder	N4 Ladder	N4 Ladder
Laying Depth	43mm	45mm	83mm	101mm	101mm
Laying Widths	150mm 300mm	150mm 300mm 450mm 600mm	150mm 300mm 450mm 600mm	150mm 300mm 450mm 600mm	150mm 300mm 450mm 600mm
Lengths	3m	3m 6m	3m 6m	3m 6m	3m 6m
Span	1030mm	1500mm	1500mm	1500mm	1030mm
Finish	Galvabond Hot Dip Galvanised Powder Coat	Hot Dip Galvanised Powder Coat	Hot Dip Galvanised Powder Coat	Hot Dip Galvanised Powder Coat	Hot Dip Galvanised Powder Coat

XF20 | XT3 CABLE TRAY

Rated Load: 20kg/m
Cable Laying Depth: 43mm
Support Spacing: 1030mm
Length Supplied: 3m

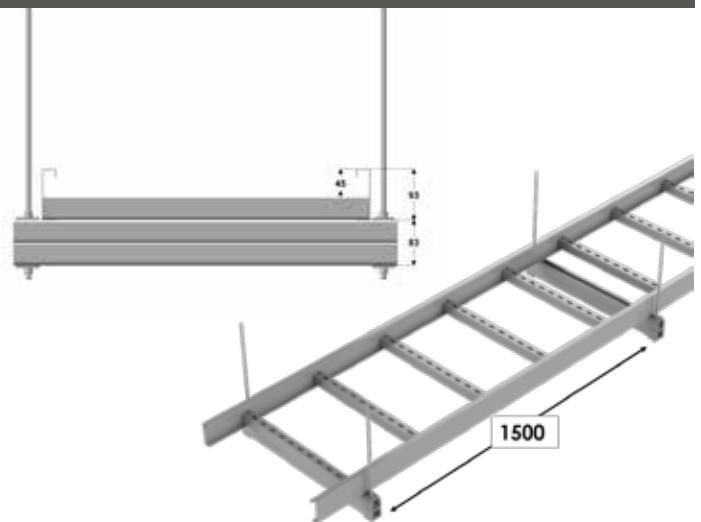
Ordering Number	Laying Width (mm)
XF20 K 150 3 [G/H]	150
XF20 K 300 3 [G/H]	300



XF50 | N2 CABLE LADDER

Rated Load: 50kg/m
Cable Laying Depth: 45mm
Support Spacing: 1500mm
Length Supplied: 3m or 6m

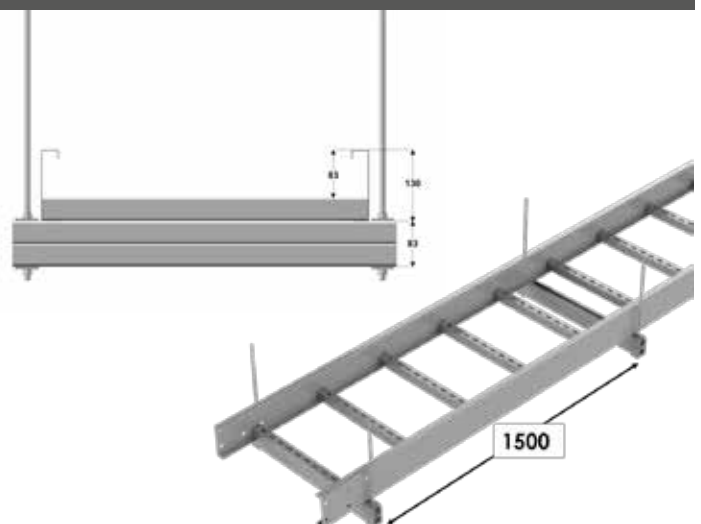
Ordering Number	Laying Width (mm)
XF50 K 150 [3/6] [H]	150
XF50 K 300 [3/6] [H]	300
XF50 K 450 [3/6] [H]	450
XF50 K 600 [3/6] [H]	600



XF60 | N3 CABLE LADDER

Rated Load: 60kg/m
Cable Laying Depth: 83mm
Support Spacing: 1500mm
Length Supplied: 3m or 6m

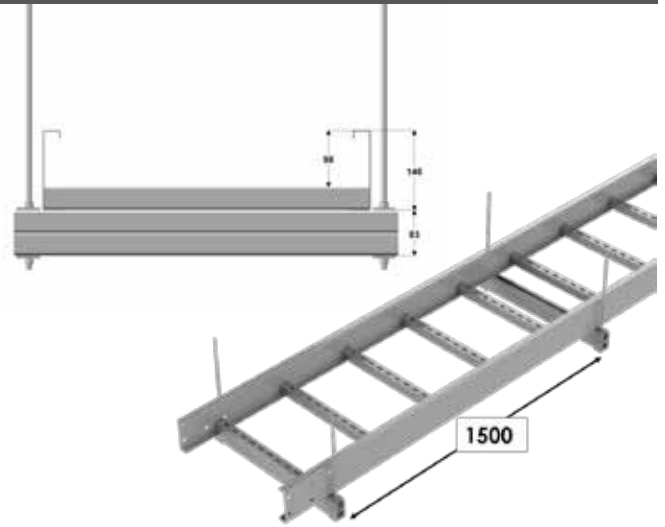
Ordering Number	Laying Width (mm)
XF60 K 150 [3/6] [H]	150
XF60 K 300 [3/6] [H]	300
XF60 K 450 [3/6] [H]	450
XF60 K 600 [3/6] [H]	600



XF70 | N4 CABLE LADDER

Rated Load: 70kg/m
 Cable Laying Depth: 101mm
 Support Spacing: 1500mm
 Length Supplied: 3m or 6m

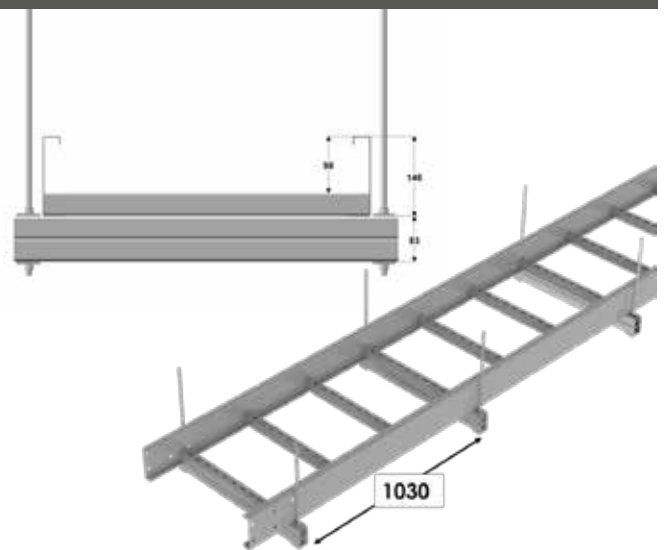
Ordering Number	Laying Width (mm)
XF70 K 150 [3/6] [H]	150
XF70 K 300 [3/6] [H]	300
XF70 K 450 [3/6] [H]	450
XF70 K 600 [3/6] [H]	600



XF100 | N4 CABLE LADDER

Rated Load: 100kg/m
 Cable Laying Depth: 101mm
 Support Spacing: 1030mm
 Length Supplied: 3m or 6m

Ordering Number	Laying Width (mm)
XF100 K 150 [3/6] [H]	150
XF100 K 300 [3/6] [H]	300
XF100 K 450 [3/6] [H]	450
XF100 K 600 [3/6] [H]	600





**BUILT
AUSSIE
TOUGH**



CUSTOMER SERVICE TEAM

P 1300 364 304 **E** ixlsystems@ixl.com.au

6 Nuwi Place, Prestons NSW 2170

46-54 Cheviot Road, Salisbury South SA 5106

1-15 Wood Street, South Geelong VIC 3220

1/2 Roni Court, Winnellie NT 0820

www.ixlsystems.com.au www.ixl.com.au

Smart Fit

End to end solutions for every industry in every state.
When time is money, fit matter.